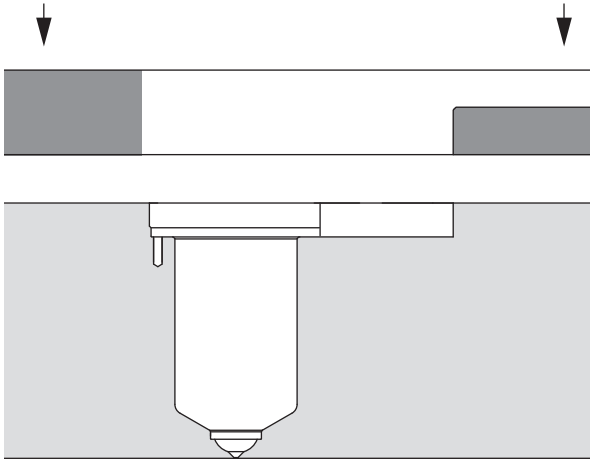


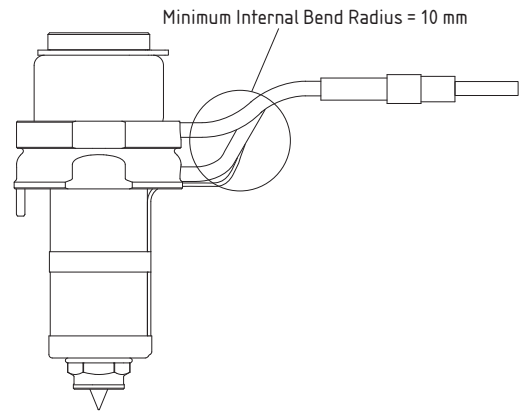
Installation

ONE



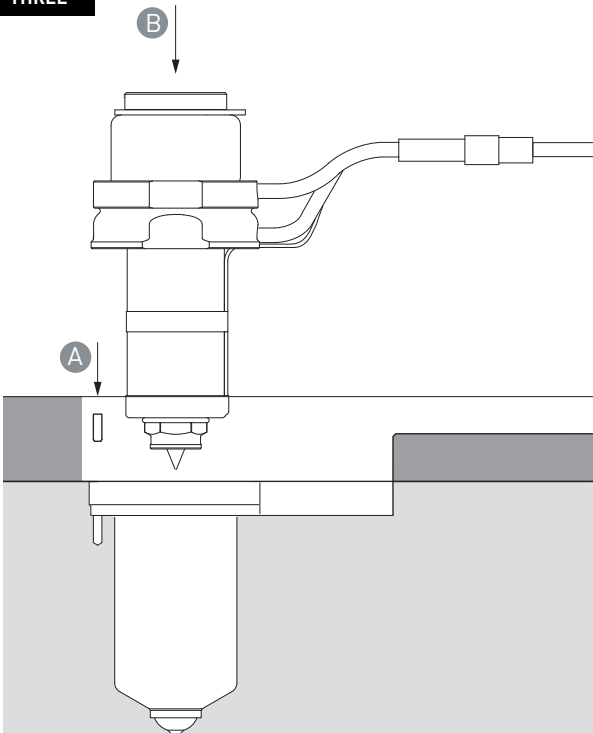
Place the **backplate** on top of the **cavity plate**

TWO



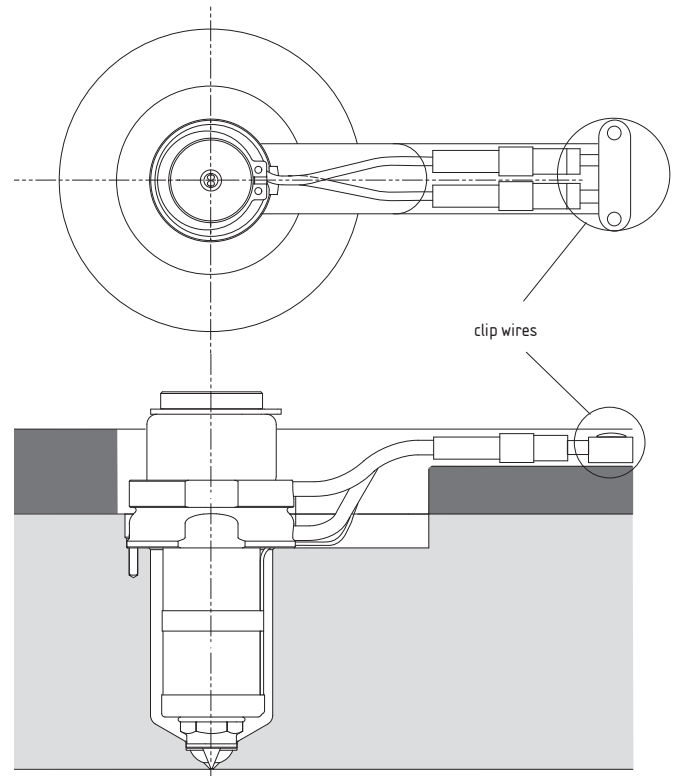
Carefully bend the **heater** and **T/C wires**.
DO NOT exceed the bend radius specified

THREE



- A** Fit the **dowels** in the **dowel holes** in the **cavity plate**.
- B** Insert the **SX nozzle** into the cavity plate. It should be a slide fit.

FOUR

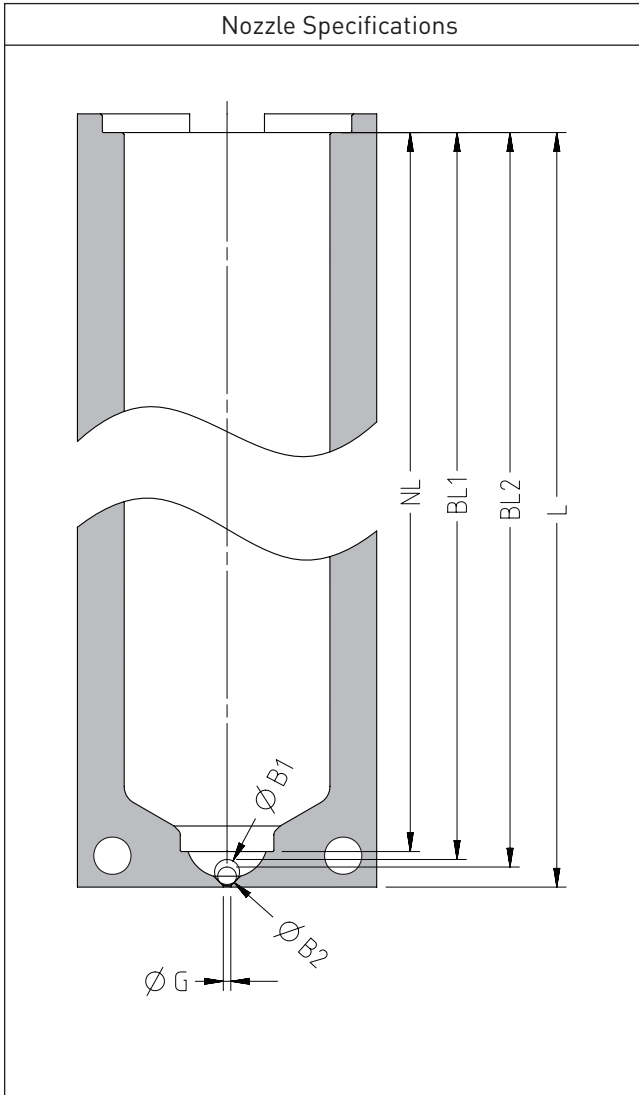


Attach **wire clips** over the **wires**. **DO NOT** crush wires.
→ Refer to the checksheet on pg 2 to ensure the nozzle location dimensions are correct

SX Thermal Gate Single Nozzle Installation Checksheet

Project Details	
Distributor Name:	
Customer Name:	
Customer Reference #:	
Mastip Reference #:	
Date:	

Additional Information	
Material:	
Planned Nozzle Temp.:	
Planned Mould Temp.:	
Planned Manifold Temp.:	



Cavity Dimensions					
Nozzle #	NL	BL1	BL2	L	G
1					

Ball Diameter (ØB)		
Nozzle	ØB1	ØB2
SX13	Ø3.00	Ø2.00
SX16	Ø4.00	Ø2.00
SX19	Ø4.00	Ø3.00
SX27	Ø6.00	Ø4.00