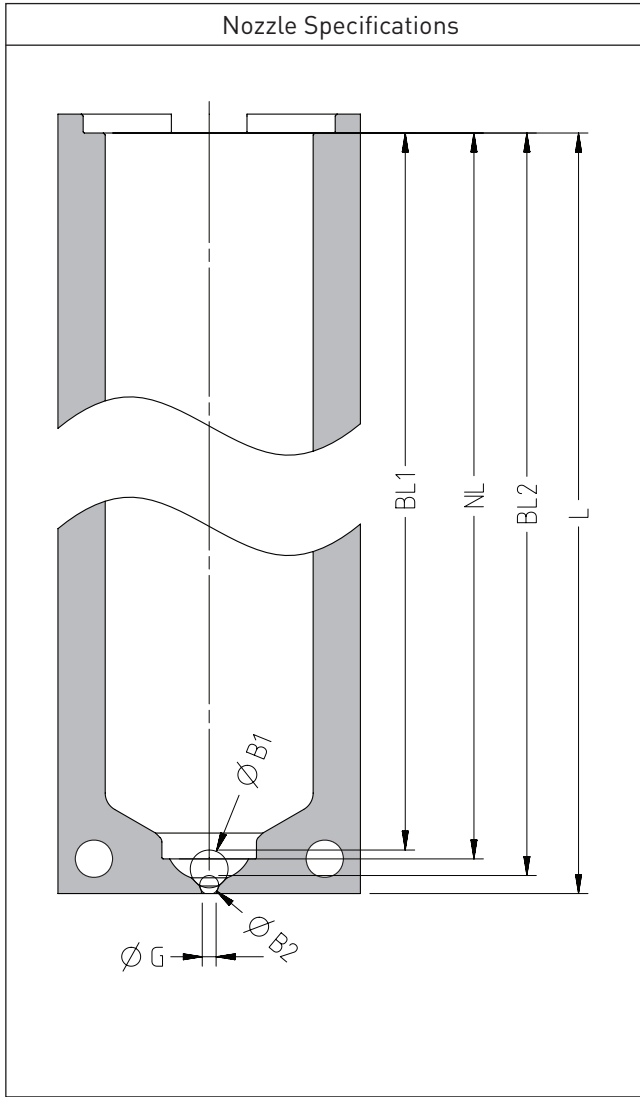


Valve Gate Nozzle Pre-Installation Checksheet

Project Details	
Distributor Name:	
Customer Name:	
Customer Reference #:	
Mastip Reference #:	
Date:	

Additional Information	
Material:	
Planned Nozzle Temp.:	
Planned Mould Temp.:	
Planned Manifold Temp.:	



Cavity Dimensions					
Nozzle #	BL1	NL	BL2	L	G
1					
2					
3					
4					
5					
6					
7					
8					
9					
10					
11					
12					
13					
14					
15					
16					
17					
18					
19					
20					
21					
22					
23					
24					
25					
26					
27					
28					
29					
30					
31					
32					

Ball Diameter (ØB)		
Nozzle	ØB1	ØB2
MX/BX13	Ø3.00	Ø2.00
MX/BX16	Ø6.00	Ø2.00
MX/BX19	Ø6.00	Ø3.00
BX/SX27	Ø8.00	Ø5.00