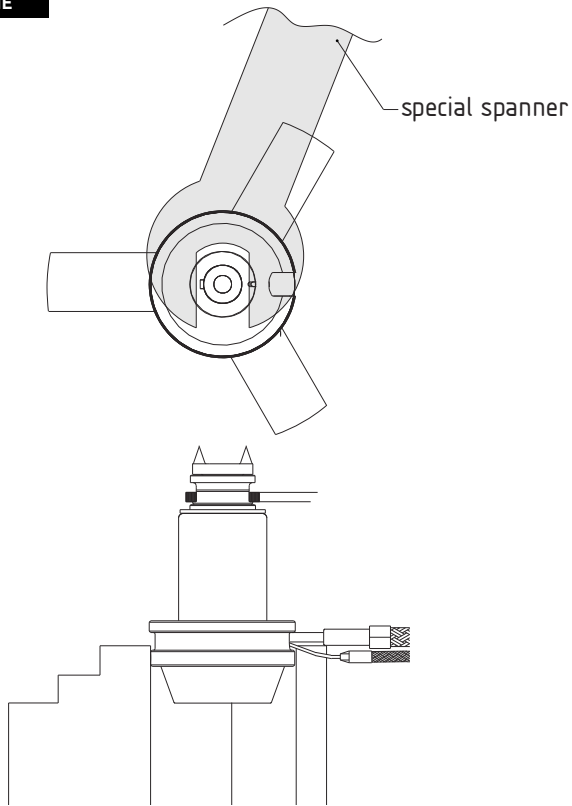


Replacing a MSM Tip

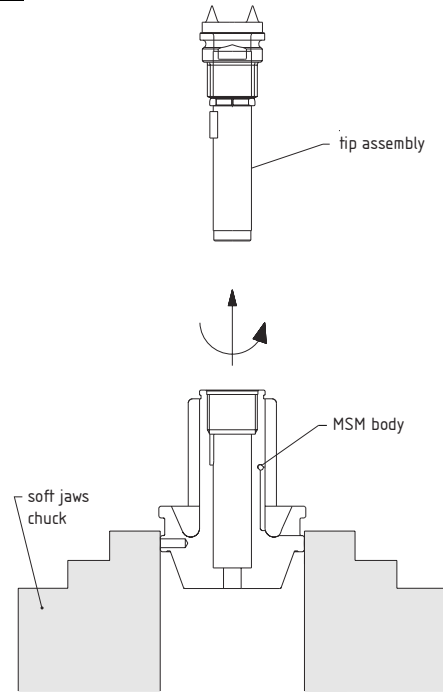
Use the following steps to install a MSM tip in a Mastip nozzle

ONE



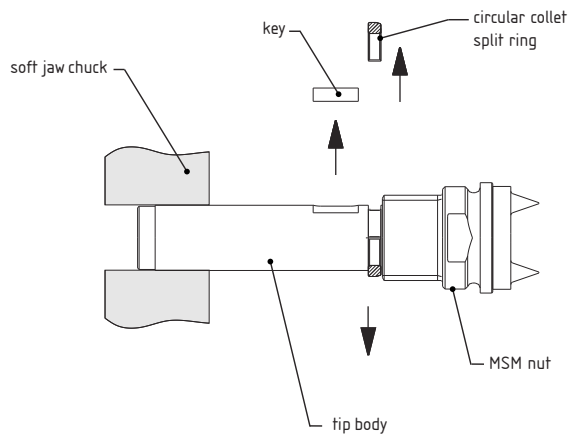
- A: Hold the **nozzle** assembly firmly in a three-jaw chuck with soft jaws
- B: Unscrew the **nut**, using a special open-end spanner.

TWO



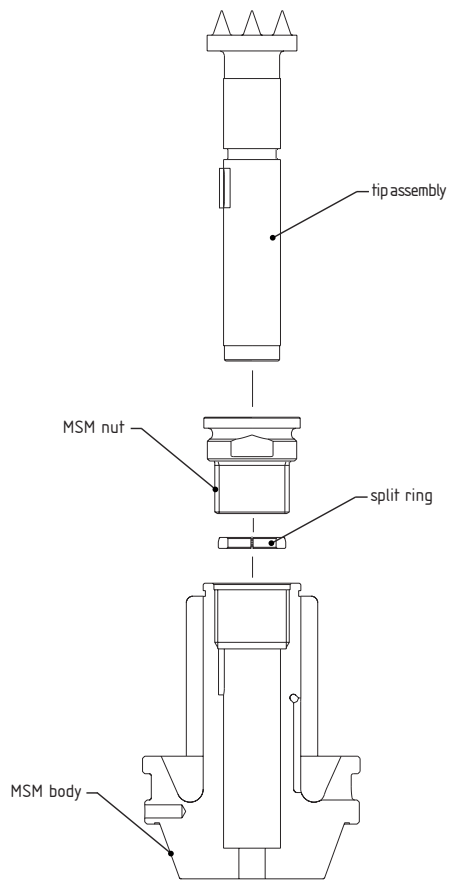
Remove the **tip** from the **nozzle**.

THREE



- A: Firmly hold the **tip** assembly with a three jaw chuck with soft jaws
- B: Remove the **key** from the **tip** assembly.
- C: Carefully remove the **collet halves** from the **tip** assembly and remove the **MSM nut**.

FOUR



A: Replace the **tip** with a new **MSM tip**.

B: Assemble the unit in reverse order. Align the **key** to the **nozzle body**.